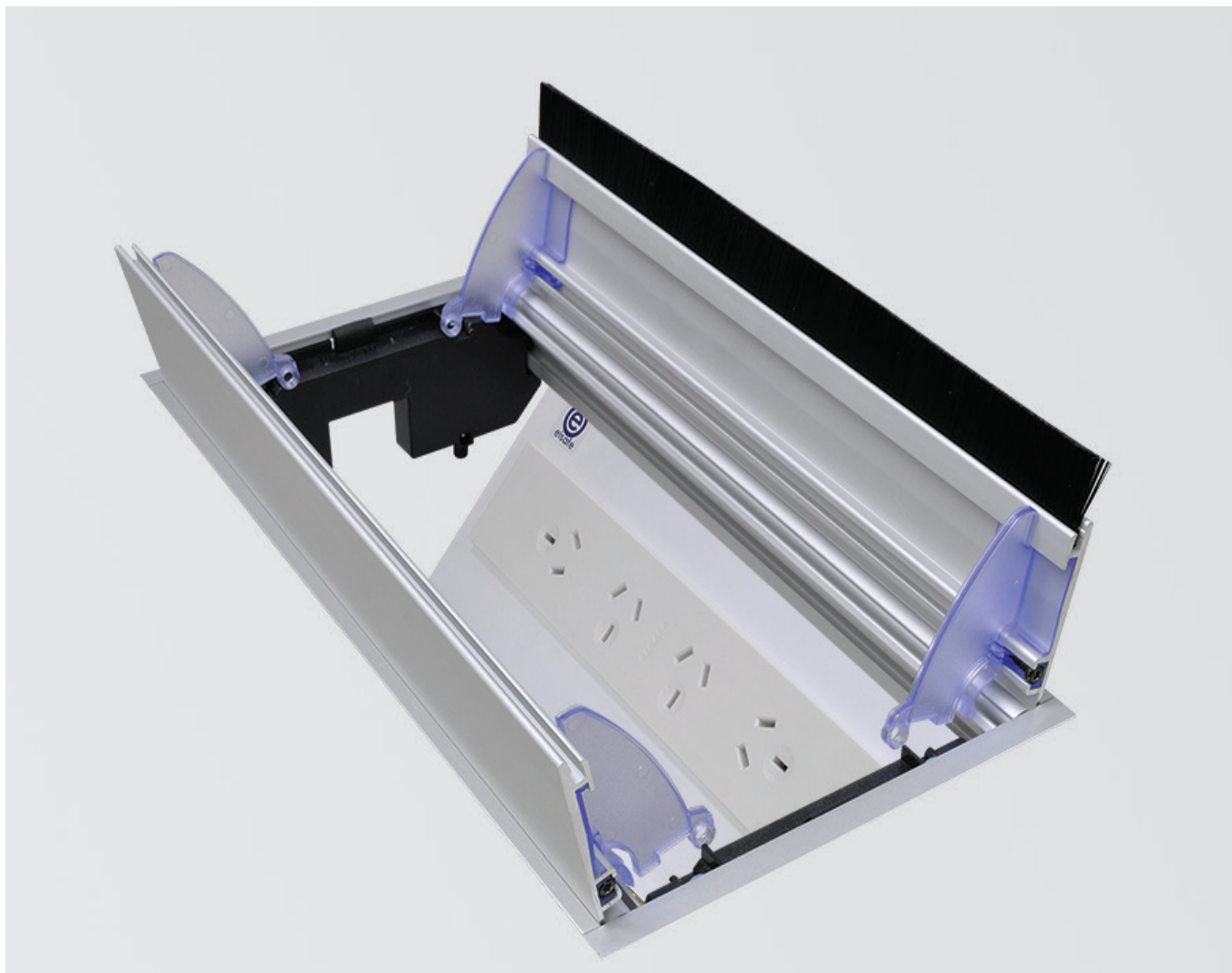




The OE Elsafe TARDIS series in-desk box has been designed around the customer's needs and requirements to provide a stylish, contemporary yet practical power, USB fast charging and data / AV solution.

The TARDIS series in-desk box is flush mounted and comes in two sections (frame and undercarriage), making installation quick and easy. TARDIS comes in two standard sizes (TARDIS QF25 and TARDIS QF45). The TARDIS undercarriage can however be banked together to allow for almost any length that is required.

The opening edge of the TARDIS series in-desk box has a soft bristle insert that fits snugly around the cables, allowing the lids to sit tight and flush. A unique feature of these lids are the cable guides attached to either end that guide the cables towards the soft bristle insert when the lids are closed, thereby avoiding damage to the cables. Tardis is available with TUF HP USB laptop charging.



COMMON COMPONENTS



* Wide range of Data / AV cutouts and couplers available on request
QikFIT Modules available as standard in Black and White

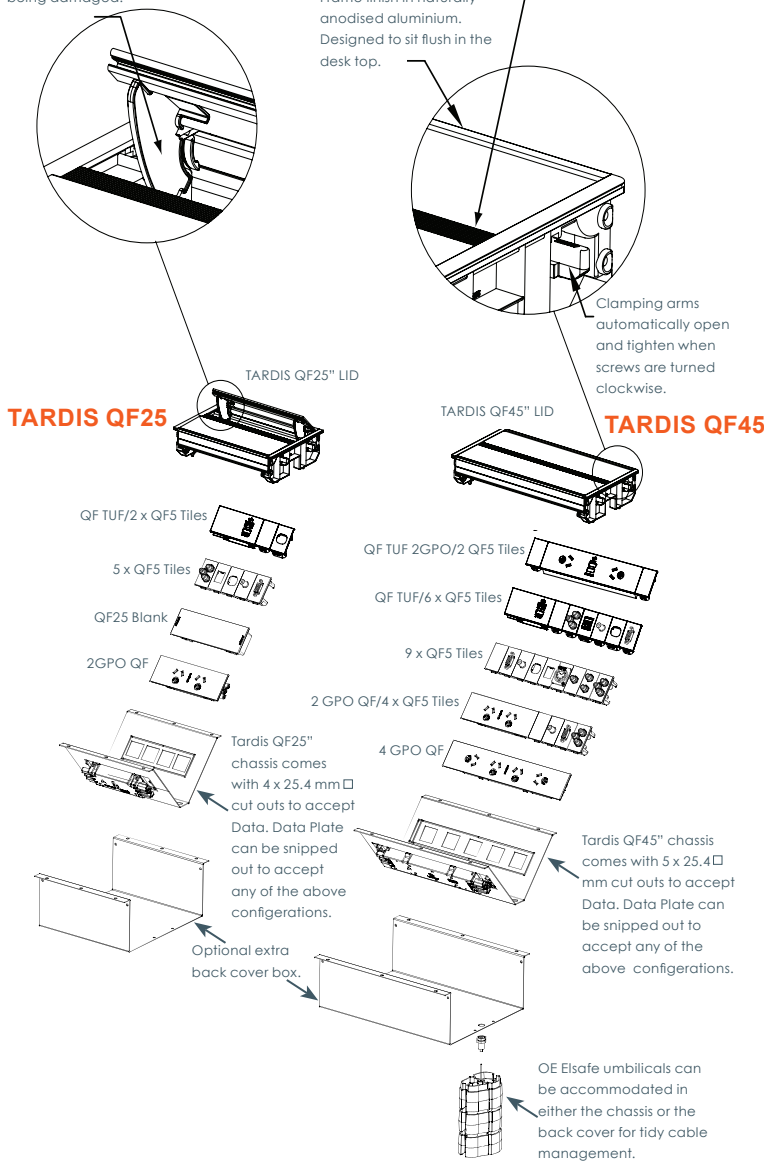
EXPLODED VIEW

Cable guides move the cables towards the centre, preventing cables from being damaged.

10mm soft bristle brush strip to protect power and data cables, providing easy access to power and data outlets.

Frame finish in naturally anodised aluminium. Designed to sit flush in the desk top.

Clamping arms automatically open and tighten when screws are turned clockwise.



FEATURES

Power and data configurations available

- Power or data only
- Power and USB fast charging
- Combined (power, USB fast charging & data/AV)
- TUF-R-HP (high-powered) USB laptop charging option
- International sockets are available on request

Reversible USB A Port: Accepts cable both ways.

Insulation: QikFIT modules with reinforced insulation.

Testing: 100% testing – continuity, polarity, insulation and earth.

Soft Wiring (power)

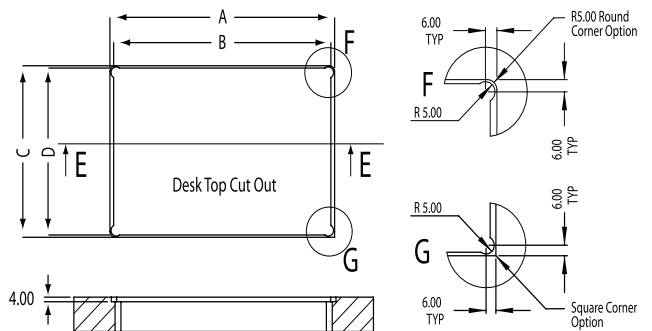
Power via Wieland GST connectors allows starter cables to be changed to suit requirements, especially useful during moves and changes (CHURN)

TARDIS Lids:

TARDIS lids come in two standard lengths and are available in either square or round corner versions. Longer lids are manufactured accordingly to provide suitable access for longer TARDIS chassis that are banked together. Lids can be purchased on their own without the chassis.

TARDIS is designed and intended for commercial use.

CUTOUT DIMENSIONS



	A	B	C	D
TARDIS QF25	210.00	203.00	150.00	146.00
TARDIS QF45	293.00	286.00	150.00	146.00

